

GENERAL

ALIAMAG The AMF100 Series is an insertion type electromagnetic flowmeter ideal for conductive liquids. It comes in sizes from 150-6000 mm.

AMF100 is widely used for tap-water, waste water, food & beverage, pulp & paper and many other industrial fluid.

AMF100 Series electromagnetic flowmeter could be used in compact or remote type with AMC Series converter of electromagnetic flowmeter.

FEATURES

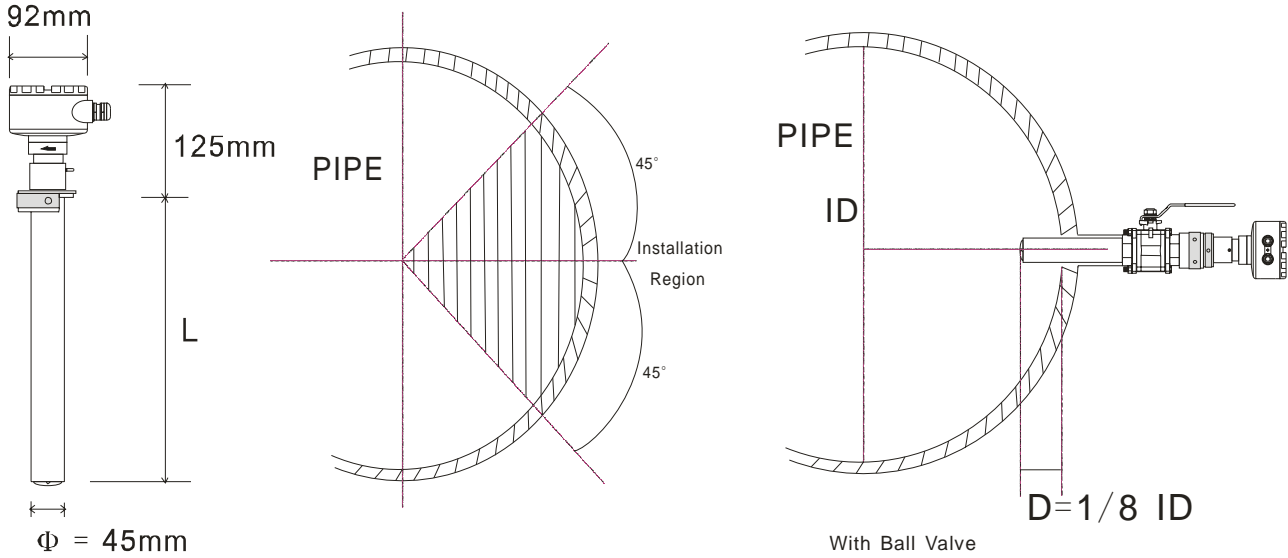
- Light and compact version
- Measuring range up to 12 m/s
- Suitable for permanent or temporary installation
- Price virtually independent of pipe diameter
- Hot-tap into pressurised pipe
- Good accuracy over wide operating flow range
- With Forward / Reverse flow rate measurement function
- Stable calibration and reliable operation

STANDARD SPECIFICATION

- | | | | |
|----------------------|--|------------------------|--|
| ● Size | : 150, 200, 250, 300, 350, 400, 450
500, 600, 700..... 6000 mm | ● Cable Entry | : Standard: M20 Option: 1/2"NPTF |
| ● Measuring Range | : Velocity 0-0.25 m/s Min.
0-12 m/s Max. | ● Grounding Resistance | : Must be less than 10 Ω |
| ● Material | | ● Accuracy | : +/-2% of reading (Velocity ≥ 0.5 m/s)
: +/-0.8% of Full Scale (F.S. > 2 m/s)
: +/-0.01 m/s (Velocity < 0.5 m/s) |
| Protection Tube | : Stainless Steel 316 | ● Repeatability | : +/-0.4% of reading |
| Screw | : Stainless Steel 316 | ● Process Temperature | : -10~80 °C |
| Electrode | : Stainless Steel 316L | ● Ambient Temperature | : -25~70 °C |
| Cap | : PTFE | ● Max. Pressure | : 10 kgf/cm ² |
| Ball Valve | : Stainless Steel 316 (Optional) | ● Conductivity | : More than 10 uS/cm |
| Hot-Tap Tool / Kit | : Stainless Steel 304 (Optional) | ● Weight | : 3-10 kg |
| ● Mounting | : Compact or remote | ● Coil Resistance | : 70-98 Ω |
| ● Process Connection | | ● Sensor Diameter | : 45 mm |
| Threaded | : Threaded, 2" BSP Female | ● Sensor Length | : 310 mm (for 150-600 mm pipe ID)
550 mm (for 600-2400 mm pipe ID)
800 mm (for 2400-4200 mm pipe ID)
1050 mm (for 4200-6000 mm pipe ID) |
| Flange | : Flange, JIS / ANSI / DIN | | |
| ● Installation | : Direct insert to the pipe
: Insert with Ball Valve
: Hot-Tap into pressurised pipe | | |
| ● Protection Class | : IP67
: IP68 (Submersible) | | |
| ● Explosion Proof | : Ex d (ib) ibq IIB T5
(with AMC3200 only) | | |

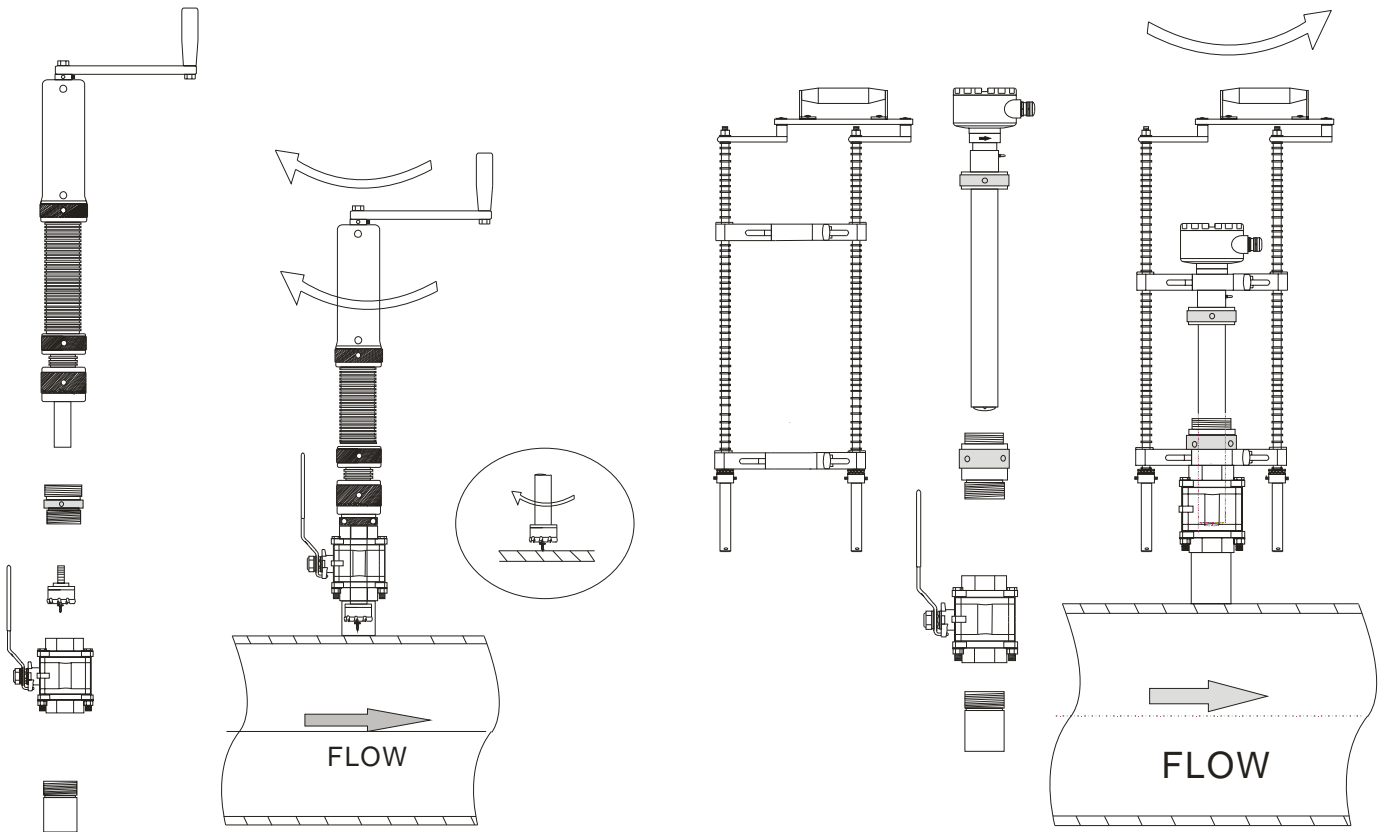


➤ DIMENSIONS



L (mm)	Direct install (Thread)	Direct install (Flange)	Install with Ball valve	Hot-Tap into pressurised pipe
310	DN 150-1800 mm	DN 150-1000 mm	DN 150-400 mm	DN 150-600 mm
550	DN 1800-3800 mm	DN 1000-2800 mm	DN 400-2200 mm	DN 600-2400 mm
800	DN 3800-6000 mm	DN 2800-4800 mm	DN 2200-4200 mm	DN 2400-4200 mm
1050		DN 4800-6000 mm	DN 4200-6000 mm	DN 4200-6000 mm

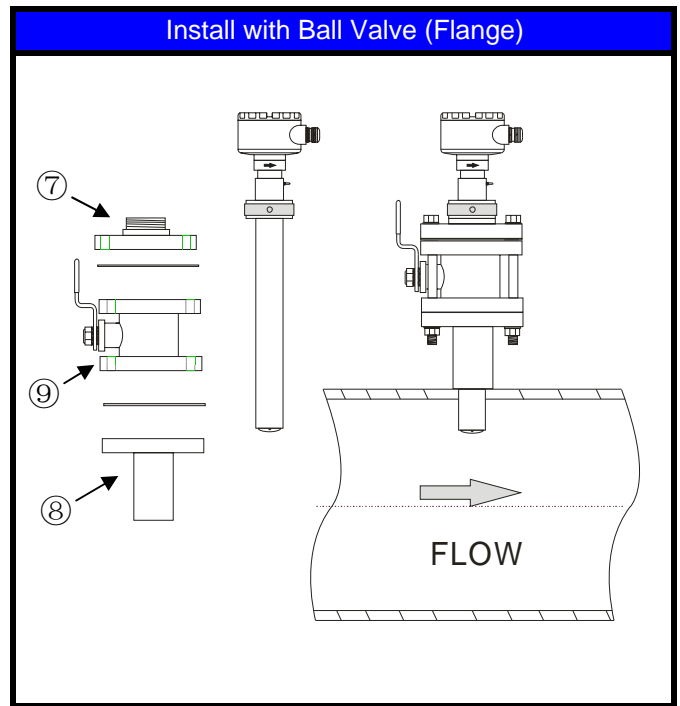
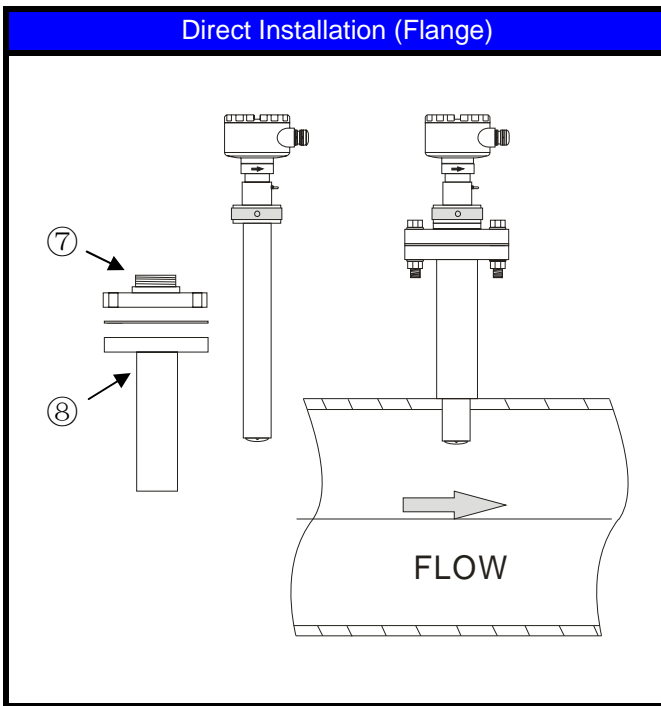
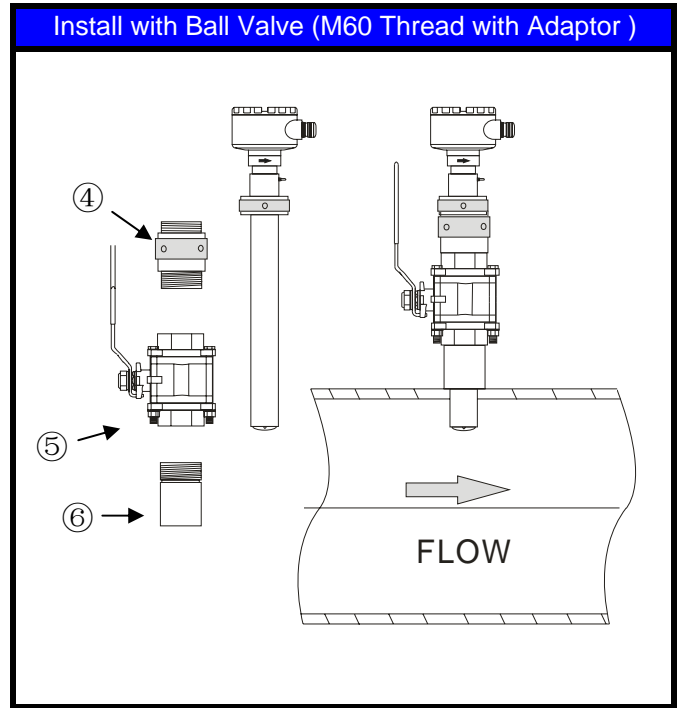
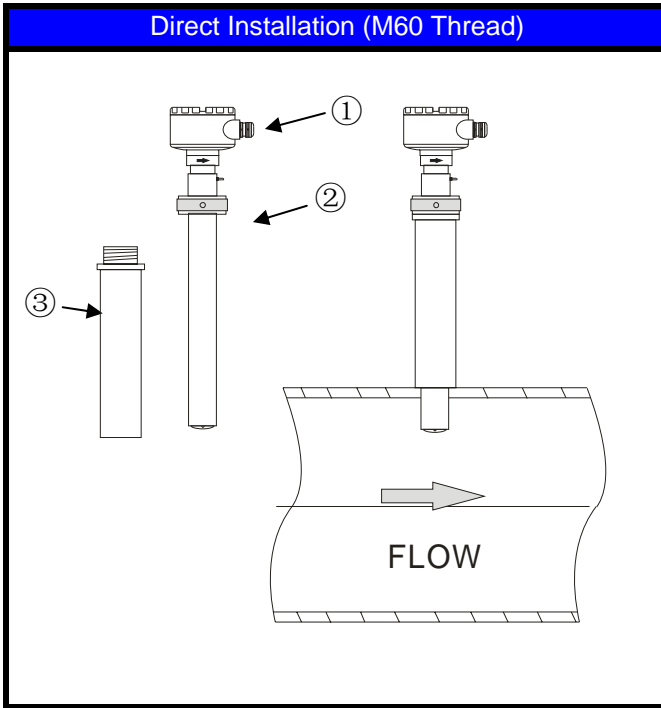
➤ HOT-TAP & UNDER PRESSURE INSTALLATION KIT



Hot-Tap Machine

Under Pressure Installation Kit

➤ **INSTALLATION**



①	Junction Box	Cable Entry PG11
②	Nut	M60 Thread (Female)
③	Extension Tube 1	M60 Thread (Male) / Welding (Optional)
④	Adapter 1	M60 Thread (Male) / 2" BSP (Male)
⑤	Ball Valve	2" BSP Female
⑥	Extension Tube 2	2" BSP (Male) / Welding (Optional)
⑦	Adapter 2	M60 Thread (Male) / Flange
⑧	Extension Tube 3	2" Flange / Welding (Optional)
⑨	Ball Valve	2" Flange End

MODEL SELECTION GUIDE

AMF100 Series									
Example: AMF100-T0350-1SN8-020-SV/EX/PT									
AMF100-	X	XXXX	-X	X	X	X-	XXX	-XX	Description
Fitting	T								Direct installation, M60 thread female
	F								Flange
Pipe Size	0150-6000								0150-6000 mm (Internal diameter)
Sensor Length	-1								310 mm
	-2								550 mm
	-3								800 mm
	-4								1050 mm
	-Z								Special length
Electrode Material	S								Stainless Steel 316L
	Z								Others
Flange Specification	N								None
	J								50A JIS 10K
	A								2" ANSI 150#
	P								DN50 PN10
	Z								Others
Protection Class	8-								Junction box IP67, Body IP68
	9-								IP68 (Submersible, Remote with Converter Only)
Installation & Cable Length	NNN								Compact Version (with AMC2100)
	SSS								Compact Version (with AMC3200 / AMC3200E / AMC4000)
	010-300								Remote Version, Cable 10-300 m
Option	-NN								None
	-SV								Stainless Steel 316 Ball Valve 2" BSP Female + Adapter 1
	-FV								Stainless Steel 316 Ball Valve 2" Flange
	-HM								Hot-Tap Machine
	-EX								Explosion Proof, Ex d (ib) ibq IIB T5 (with AMC3200 Only)
	-PT								Cable Entry 1/2" NPTF
	-PK								Under Pressure Installation Kit
	-ET								Extension Tube

The following information must be provided before order:

1. Pipe Inside Diameter (ID)
2. Pipe Outside Diameter (OD)
3. Pipe Material
4. Extension Length (L)
5. Flange Type or 2"BSPM
6. Fluid Name
7. Op. Temperature
8. Op. Pressure

