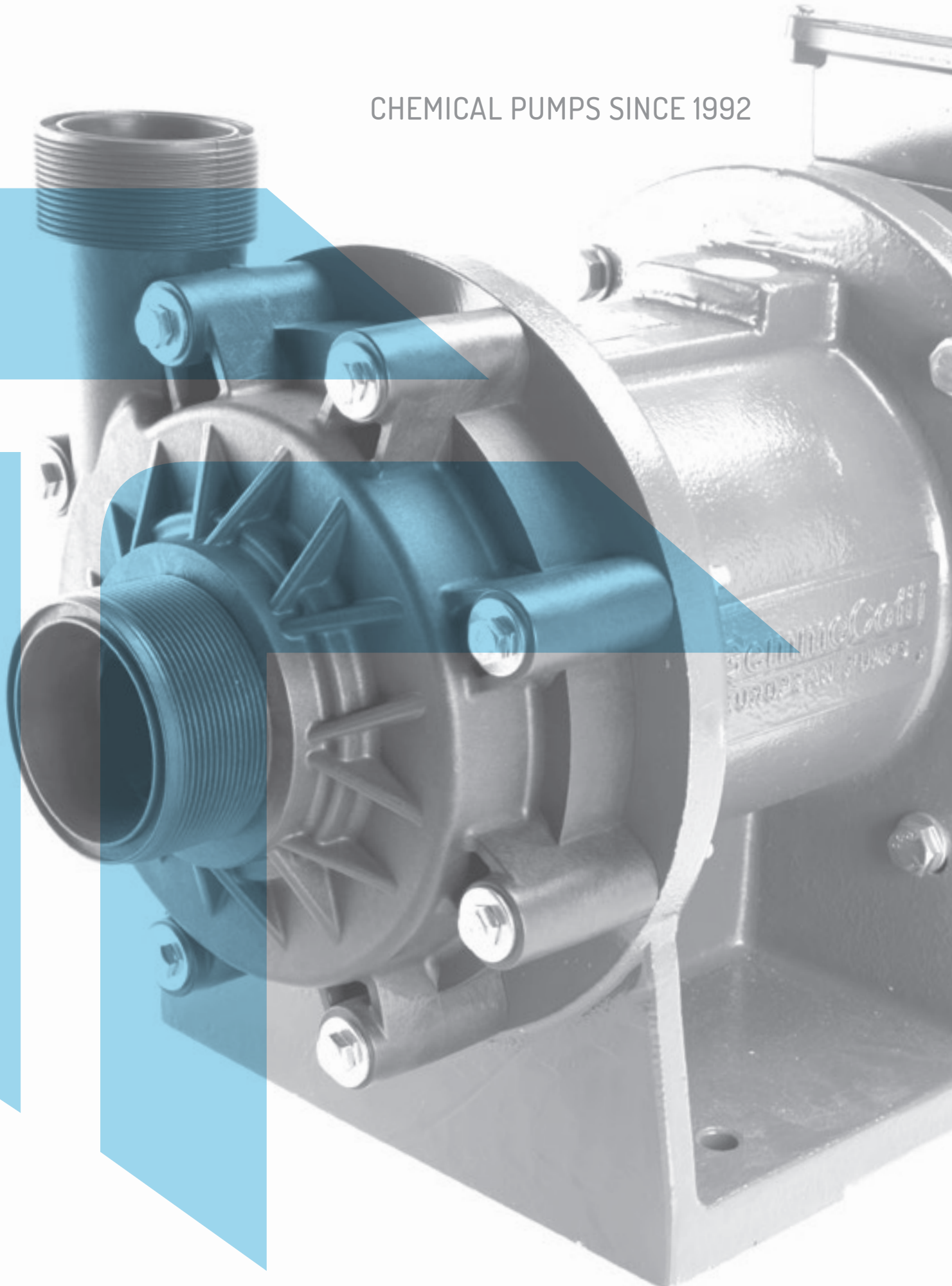


CHEMICAL PUMPS SINCE 1992



VERTICAL PUMPS

VERTICAL CENTRIFUGAL PUMPS

Vertical centrifugal pumps are suitable for installations with pump immersed directly in the tank.

GemmeCotti can supply the following models of vertical pumps:

HV

- Thermoplastic pumps made in PP or PVDF.
- Capacity up to 40 m³/h.
- Head up to 22 m.
- Monobloc pump with semi open-impeller.
- Suitable for high corrosive liquids with solids in suspension.
- Maximum length 1000 mm.

HVL

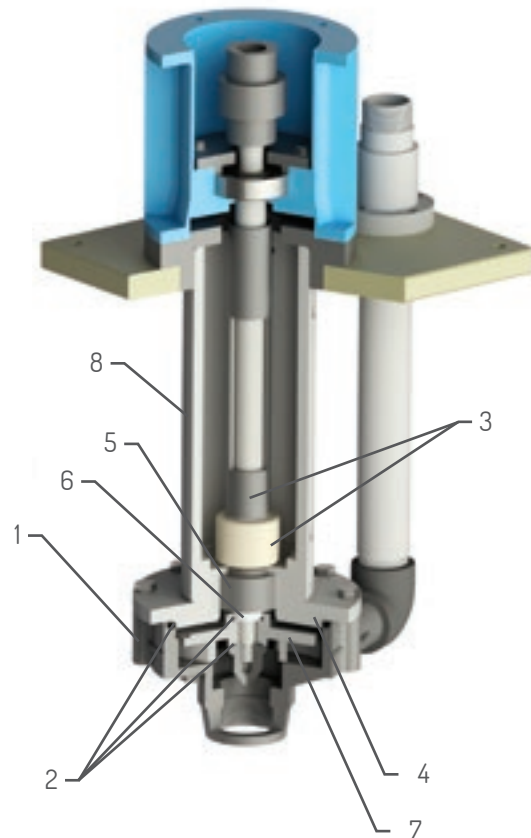
- Thermoplastic pumps made in PP or PVDF.
- Capacity up to 57 m³/h.
- Head up to 39 m.
- Centrifugal pump with coupling and semi open-impeller.
- Suitable for high corrosive liquids with solids in suspension.
- Maximum column length 2000 mm.

PVA

- Vertical centrifugal cantilever pumps.
- Made in AISI316.
- Capacity up to 24 m³/h.
- Head up to 26 m.
- Especially designed for the production of PCBs.

HTM-V

- Vertical magnetic drive pumps.
- Thermoplastic pumps made in PP or PVDF.
- Capacity up to 23 m³/h.
- Head up to 20 m.
- Column length: 320 mm.



MATERIALS IN CONTACT WITH THE LIQUID

PART NUMBER - DESCRIPTION	VERTICAL PUMPS	
	HV	HVL
1 - PUMP HEAD	PP OR PVDF	PP OR PVDF
2 - O-RING	EPDM OR VITON	EPDM OR VITON
3-SHAFT COVERING/GUIDE SHAFT COV.	PP	PP
4- COVER	PP OR PVDF	PP OR PVDF
5- BUSHING	PTFEC	PTFEC
6- WEAR BUSHING	Al ₂ O ₃	Al ₂ O ₃
7- IMPELLER	PP OR PVDF	PP OR PVDF
8- COLUMN	PP OR PVDF	PP OR PVDF

VERTICAL CENTRIFUGAL PUMPS



FEATURES

- Centrifugal monobloc pump.
- Materials available: PP, PVDF.
- Max flow: 40 m³/h; Max head: 22 m.
- Temperature: PP: max 70°C; PVDF: max 90°C.
- Suitable for high corrosive liquids containing solids in suspension.
- Length of the column: from 500 to 1000 mm.

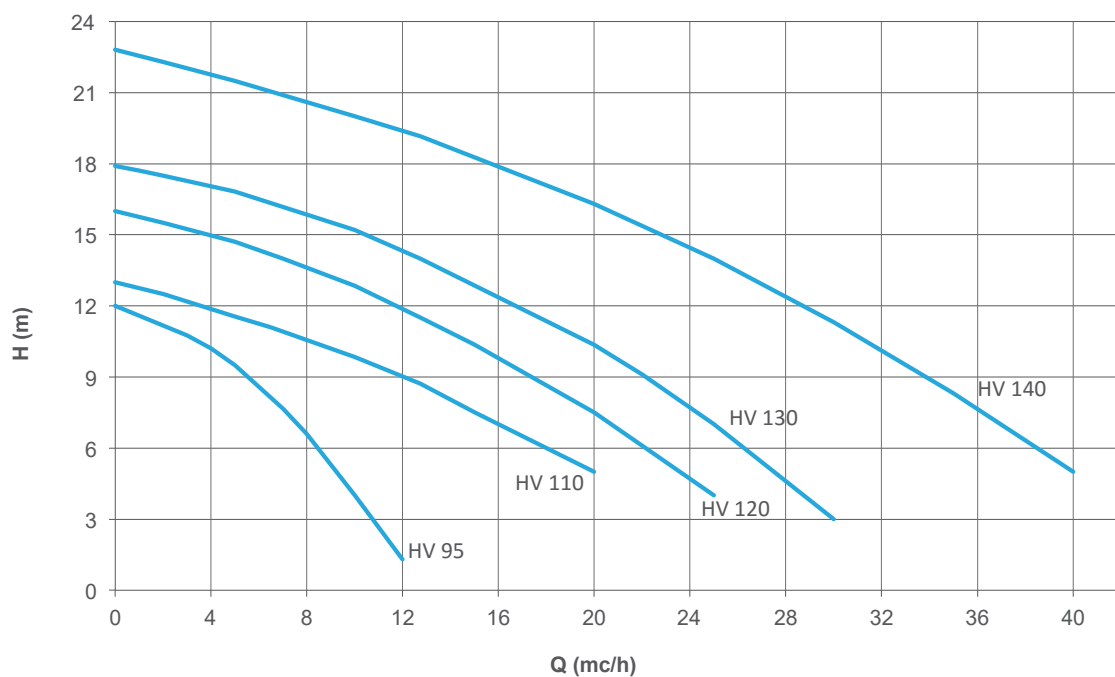
STANDARD

- Threaded In and Out connections.

OPTIONAL

- Dry-running protection.
- Flanges available.
- Suction strainer.

PERFORMANCE CURVES 50HZ - 2900 RPM

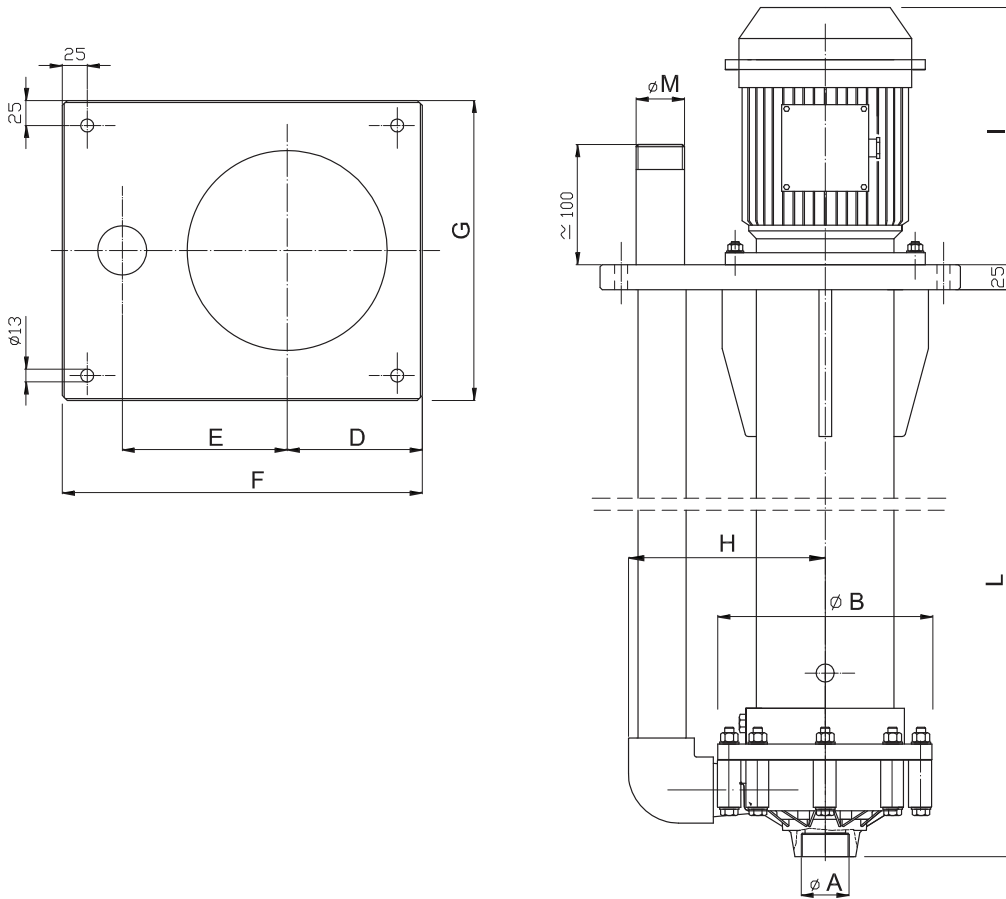


VERTICAL CENTRIFUGAL PUMPS

HV TECHNICAL DATA

PUMP SIZE	MATERIAL	Ø MAX		H MAX		SUCTION CONNECTION	DISCHARGE CONNECTION	COLUMN LENGTHS (mm)	SUITABLE MOTOR POWER (KW) - 2900 rpm	MOTOR FLANGE AND FRAME
		50HZ (m ³ /h)	60HZ (usgpm)	50HZ (m/c)	60HZ (ft)					
HV 95	PP- PVDF	12	62	12	55	2" FEMALE	1 1/2" MALE	from 500 to 1000	0,75	80 2A - B5
HV 110	PP- PVDF	20	105	13	60	2" FEMALE	1 1/2" MALE	from 500 to 1000	1,1	80 2B - B5
HV 120	PP- PVDF	25	132	16	75	2" FEMALE	1 1/2" MALE	from 500 to 1000	1,5	90 S - B5
HV 130	PP- PVDF	30	158	18	90	2" FEMALE	1 1/2" MALE	from 500 to 1000	2,2	90 L - B5
HV 140	PP- PVDF	40	210	22	105	2" FEMALE	1 1/2" MALE	from 500 to 1000	3	100 L - B5

HV 95 - 110 - 120 - 130 - 140 PP/PVDF DIMENSIONS



PUMP TYPE	MOTOR B5	Kw	DIMENSIONS - mm -									
			ØA	ØM	ØB	D	E	F	G	H	I	L
HV 95	G 80	0,75	2" F	1 1/2" M	215	135	165	360	300	196	215	On request from 500 to 1000 mm
HV 110	G 80	1,1									230	
HV 120	G 90 S	1,5									255	
HV 130	G 90 L	2,2									280	
HV 140	G 100	3									315	

VERTICAL CENTRIFUGAL PUMPS



FEATURES

- Centrifugal pump with coupling.
- Materials available: PP, PVDF.
- Max flow: 57 m³/h; Max head: 39 m.
- Temperature: PP: max 70°C; - PVDF: max 90°C.
- Suitable for high corrosive liquids containing solids in suspension.
- Length of the column: from 500 to 2000 mm.

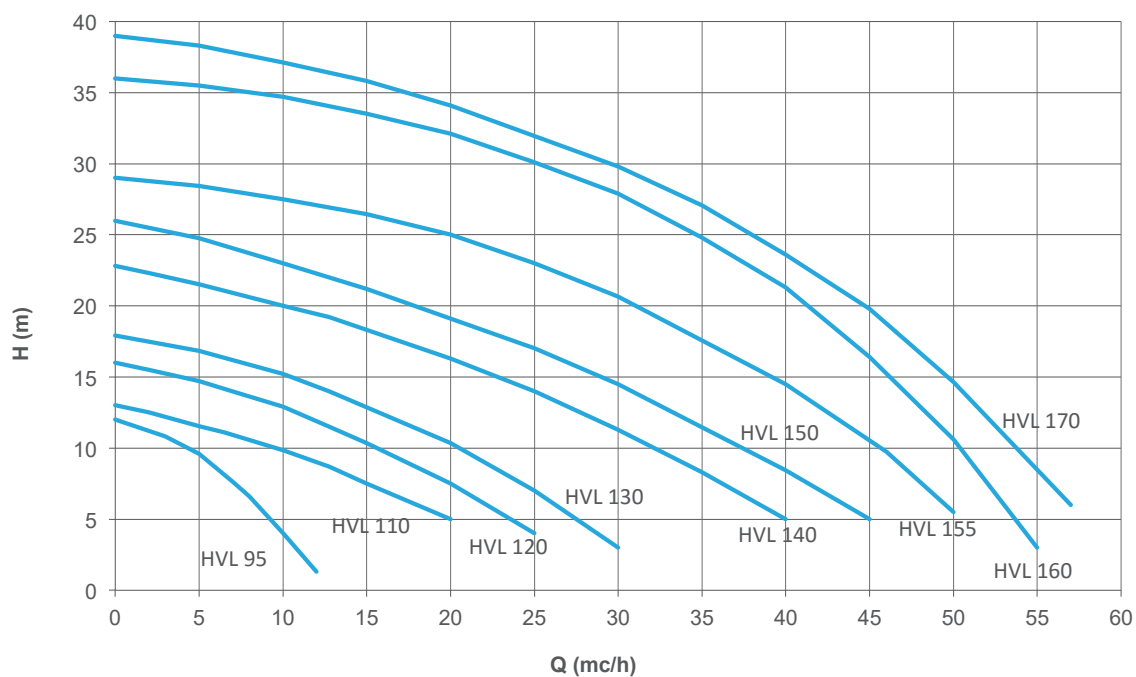
STANDARD

- Threaded In and Out connections.

OPTIONAL

- Dry-running protection.
- Flanges available.
- Suction strainer.

PERFORMANCE CURVES 50HZ - 2900 RPM





GEMMECOTTI SRL

Via A. Volta 85/A
20816 Ceriano Laghetto MB
ITALY
EUROPEAN UNION

Ph: +39 02.96460406
Fax: +39 02.96469114

info@gemmecotti.com
www.gemmecotti.com

