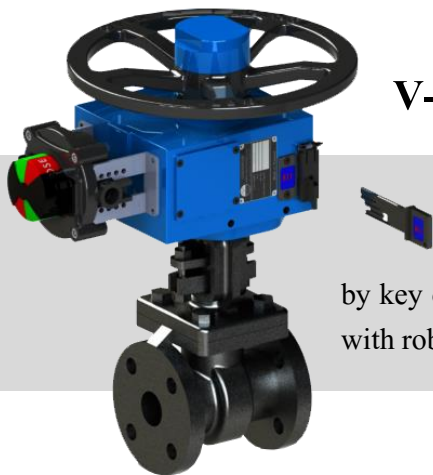




## V- LOCK *Manual Valve Lock Module*



**V-LOCK** is mechanical lock module for manual valve which is needed for process safety, only authorize people are able to operate the valve by key operation.. There are variety of choices according to customer requirement with robust, reliable, flexible and valuable for customer process.

### Preface

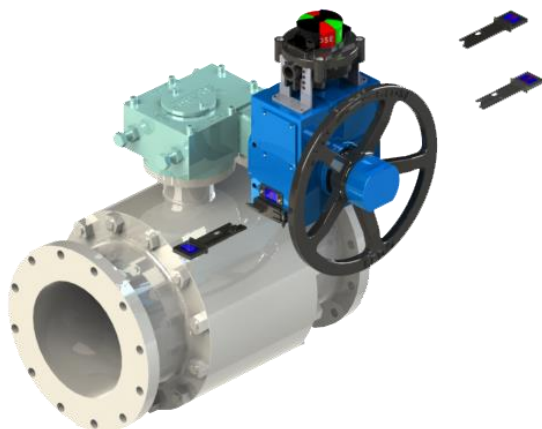
Traditional valve locking style with chain and master key is generally used to prevent un-authorized people operate the important valve which can effect to the process operation. Anyway the master key can be problem when operated at outdoor or corrosive area, it can be stuck easily after used for a such period time.



Manual Valve with Traditional Chain and Master key

### Now V-LOCK Time...

From current problems information of using chain and master key, LEDOGAUGE has created and designed mechanical locking module and called "V-LOCK" which more robust and more reliable when compare to the traditional lock system. V-LOCK key capabilities are able to lock valve at any position ( throughout 0-100% opening ) , variety of choices such as number of authorize keys, choice of indicators that make V-LOCK is very flexible. Under elaborate design through Engineering mind, V-LOCK is looked nice and valuable for customer process where would have been using.



- **Robust**
- **Reliable**
- **Flexible**
- **Valuable**



## V- LOCK *Manual Valve Lock Module*

### General Specification

- Carbon steel for body, main driving shaft and linkage arm
- Key and mechanical lock system parts are stainless steel
- Double support bearings make operation very smooth , less wear off and less maintenance
- All O-ring seals are VITON withstand higher operating temperature
- Adjust able linkage arm for adjusting the valve traveling correspond to local indicator. This can be done at site by operator easily (only for the model with local indicator)
- Industrial paint by powder coating process make high corrosive resistant ( blue is standard , other color is on requested )
- All exposed bolts is stainless steel to prevent rust



### VL-D Model

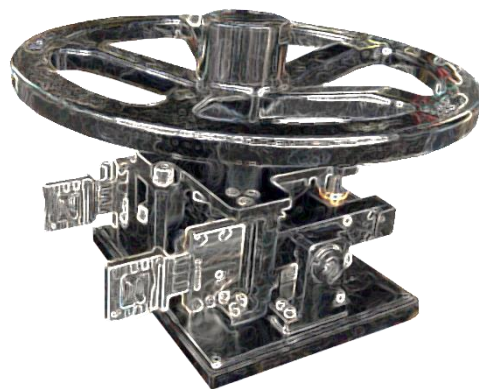
VL-D was designed for direct mounting to manual valve either non-rising stem or rising stem valves size is in between 2" – 12" , other options such as number of authorize parties, indicator and lock system is selectable

### VL-G Model

VL-G was designed for mounting through gearbox either worm gearbox or bevel with less modification on gearbox, this will remain gearbox strength and functional. Easy mounting and maintenance

### Selectable Authority Number

Some process is very serious and important that only one division can not confirm and operate valve alone. There may be 2 or 3 divisions to confirm and operate that valve. V-LOCK is able to provide different authorize keys, at maximum is 3 keys per V-LOCK module and then can conform customer requirement





## V- LOCK *Manual Valve Lock Module*

### Selectable Indicators (options)

#### Limit Switch Box with Local Indicator

Additional purpose of sending valve position status remotely to control room or safe area

- Die cast aluminum housing and cover with IP65/66/67 protection class. Stainless steel housing is also available
- High visibility Visual 3D indicator to verify valve position, Red-Green is standard or mechanical indicator
- Variety of Ex-Proof certificate : ATEX, UL, CSA and IEC up to SIL 3 rated models available
- Selectable Switch
  - SPDT and DPDT electromechanical silver or gold plate
  - SPDT and DPDT magnetic proximity switch
- Cable entry 2 of M20x1.5 or 2 of 1/2" NPTF
- Other is on request



Visual 3D UV resistant and V0 self extinguish polycarbonate

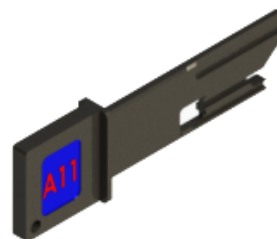
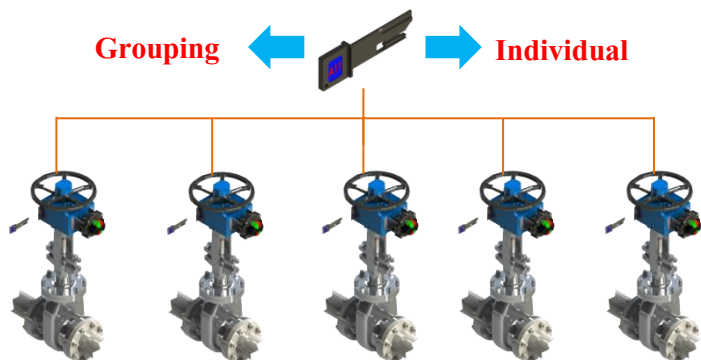


#### Mechanical Indicator

In case customer do not need any feedback signal to remote area then they can select local mechanical indicator to observe the valve stroke during valve movement. This mechanical indicator is cooperated with internal gear set correspond to valve stroke properly

### Valves Grouping Ability with Specified Key Code

Valve grouping and key code can be specified when place order, possible one key code can operate with all valves in desire area or grouping according to customer safety regulation.

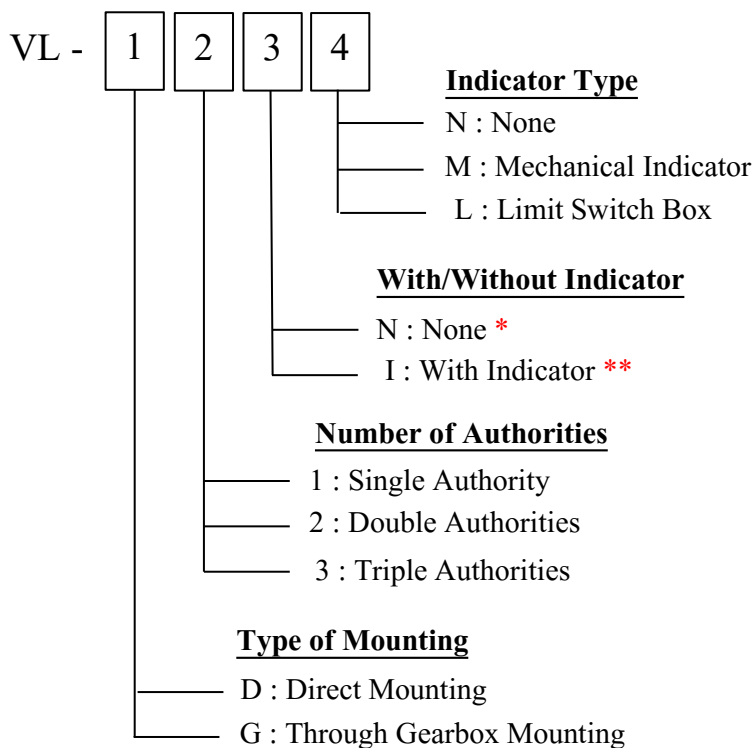
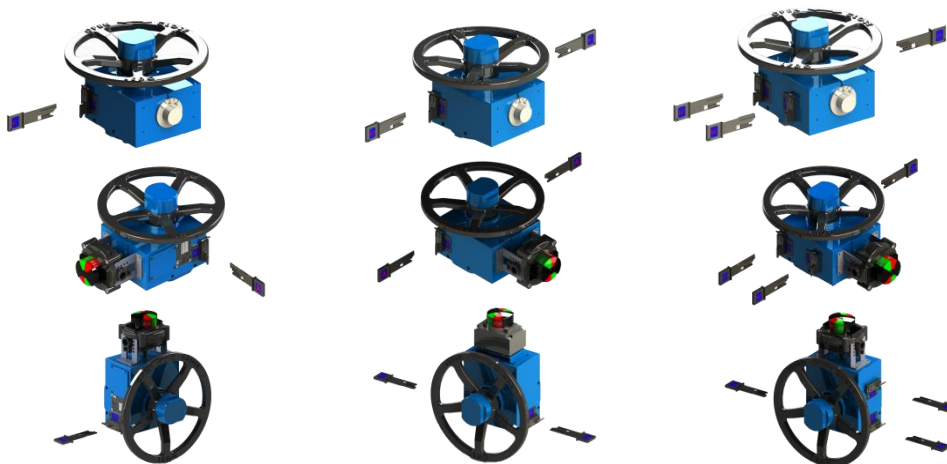


Rugged Key



# V- LOCK *Manual Valve Lock Module*

## V-LOCK Model Selection



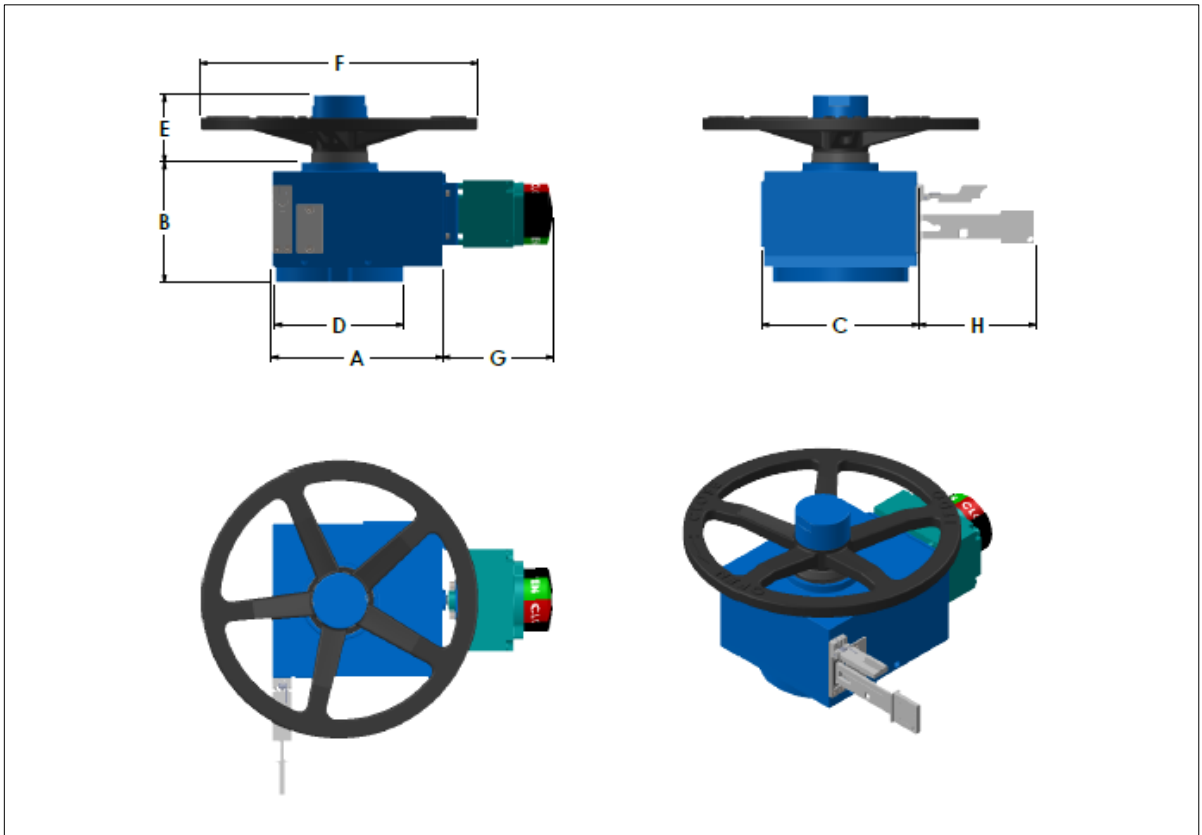
\* Digit 5 must be N only

\*\* Digit 5 must be M or L only



# V- LOCK *Manual Valve Lock Module*

## VL-D Outline Dimension



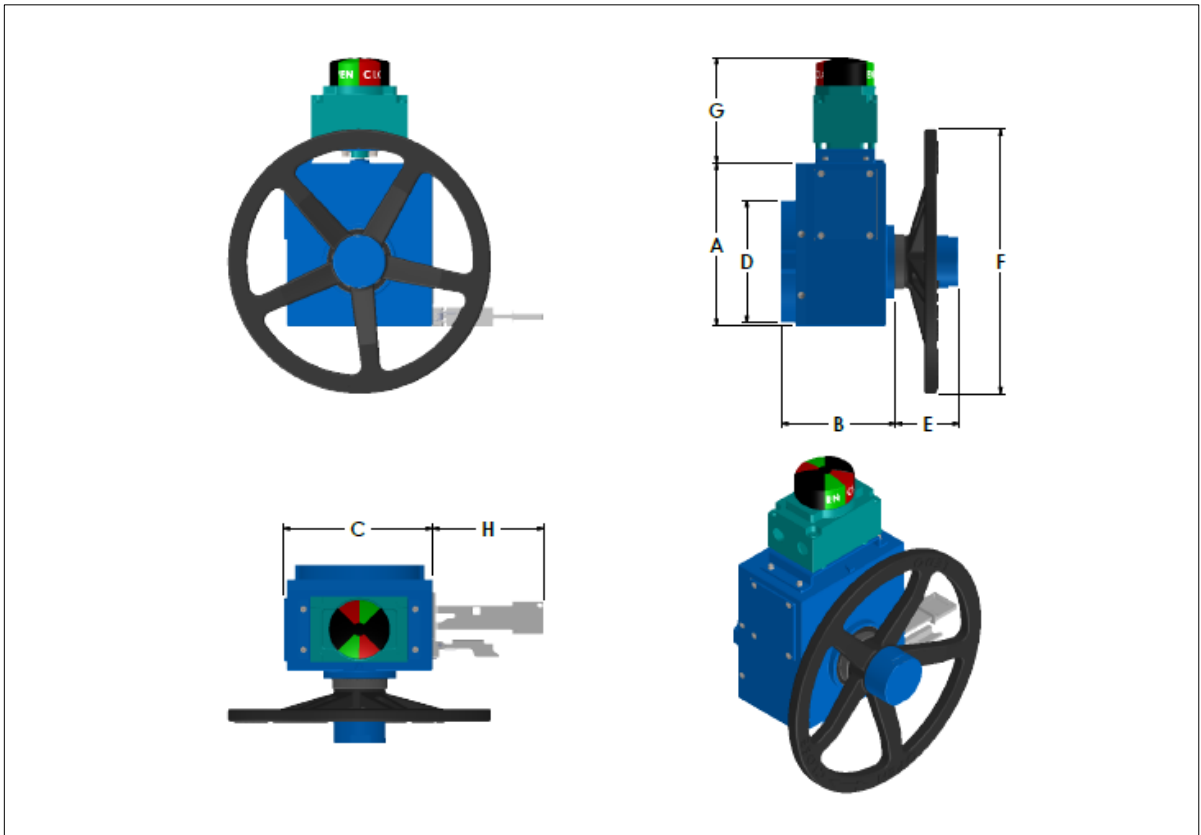
Model	A (mm)	B (mm)	C (mm)	D (mm)	E (mm)	F (mm)	G (mm)	H (mm)	Approx. Weight(kg)
VL-D	200	140	184	125/150	79/200	325/450	*	140	27

\* Depend on limit switch box model



# V- LOCK *Manual Valve Lock Module*

## VL-G Outline Dimension



Model	A (mm)	B (mm)	C (mm)	D (mm)	E (mm)	F (mm)	G (mm)	H (mm)	Approx. Weight(kg)
VL-D	200	140	184	125/150	79/200	325/450	*	140	27

\* Depend on limit switch box model



**Please contact us at :**



## **Odeals Plus Company Limited**

29/74 Moo 10, Tambol Lamlukka,  
Amphur Lamlukka, Pathumthani 12150,  
Thailand

Tel : +662 9871828 Fax : +662 9871829

Hot line : +668 19268755

[somboon@odealsplus.com](mailto:somboon@odealsplus.com)

